



# American Relay Controls

Email: support@americanrelaycontrols.com

Web: www.americanrelaycontrols.com

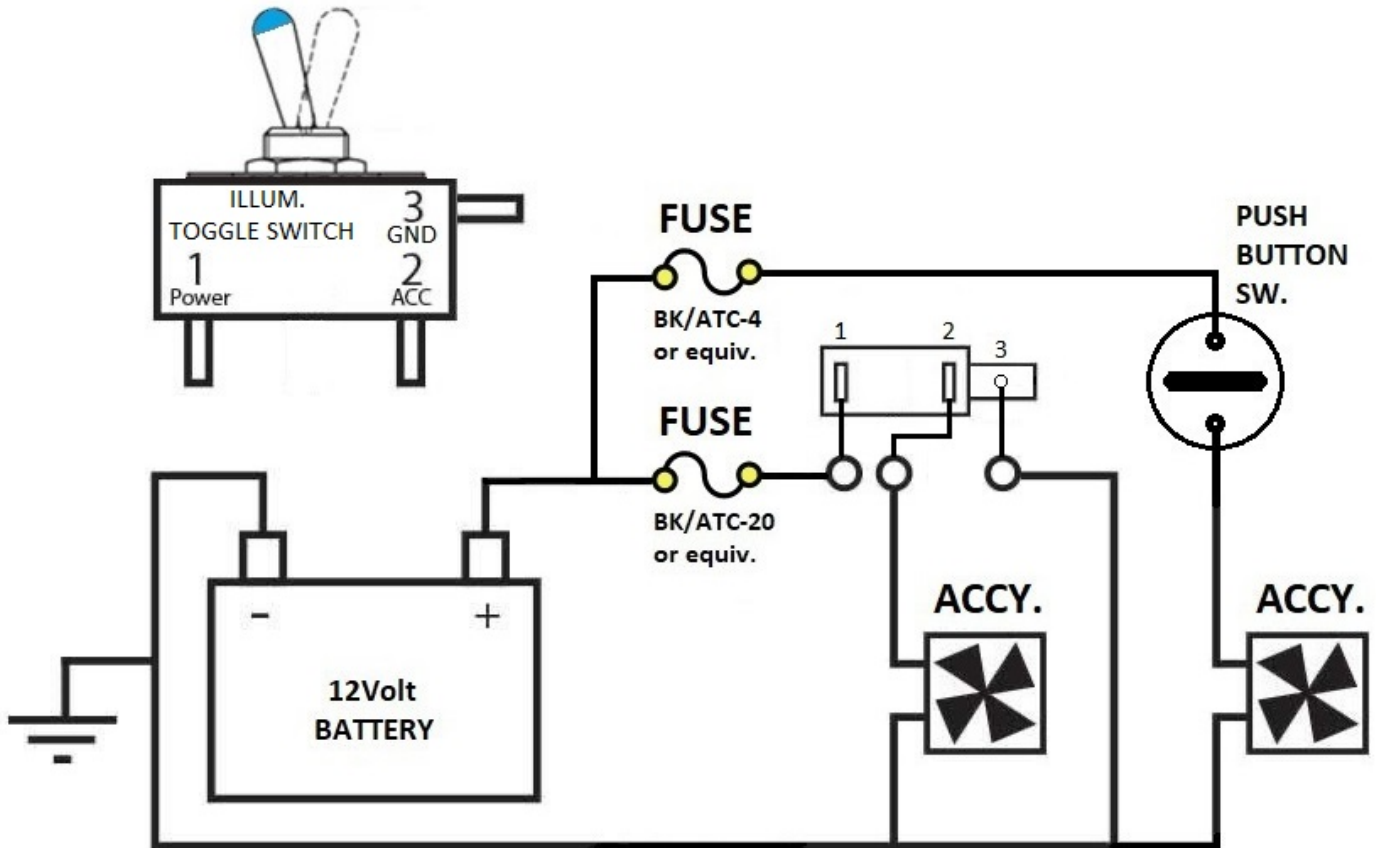
Phone: (888)486-1272

## SWITCH PANEL WIRING DIAGRAM

**Part# SPAS-00005-00**

**SPAS-00007-00**

Panel of 4, 20Amp, Illuminated Toggle Switches and 1 4Amp, Push Button Switch



**\*NOTE\*** A fuse MUST accompany ALL five switch circuits.