



American Relay Controls

Email: support@americanrelaycontrols.com

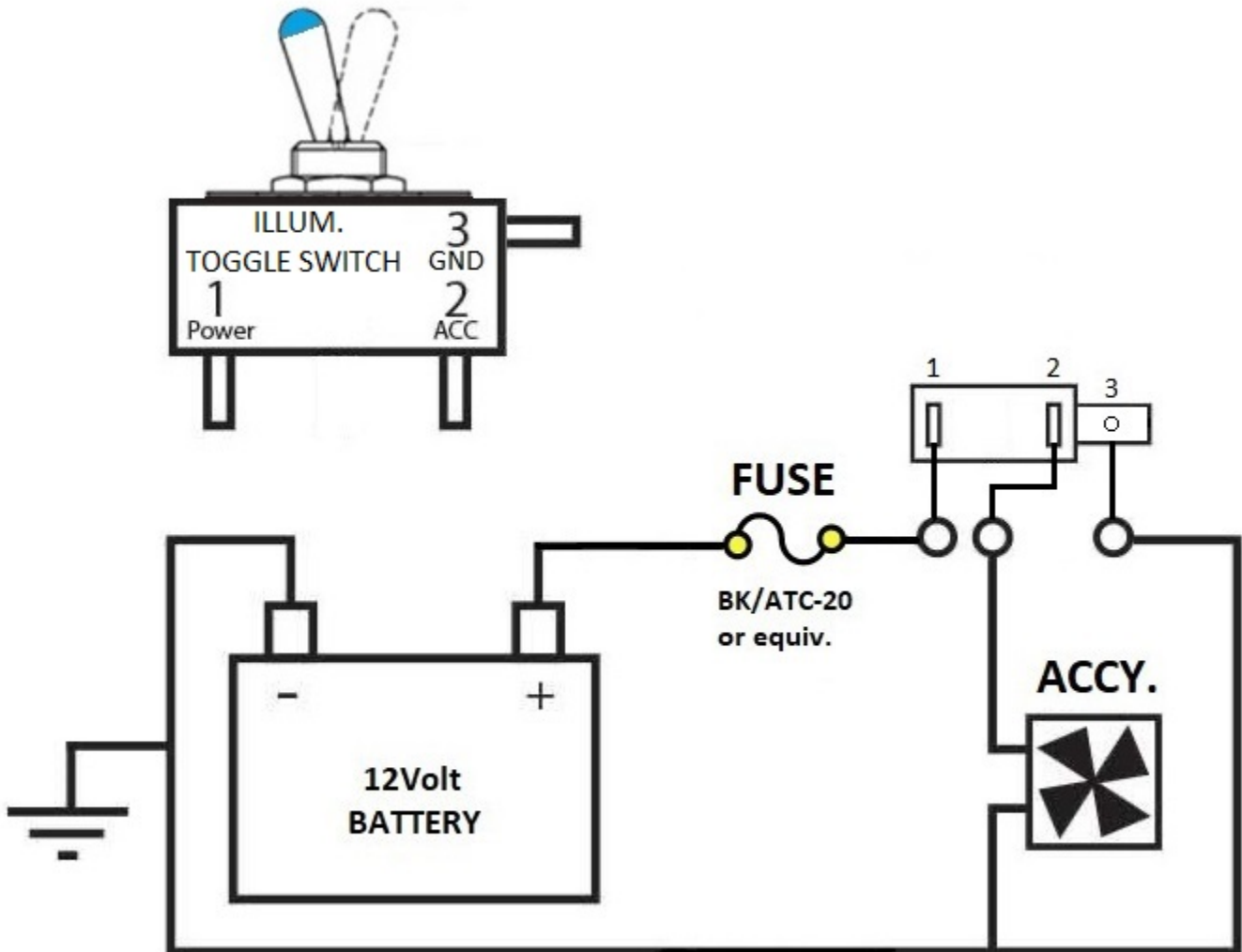
Web: www.americanrelaycontrols.com

Phone: (888)486-1272

SWITCH PANEL WIRING DIAGRAM

Part# SPAS-00004-00

Panel of 6, 20Amp, Illuminated Toggle Switches



NOTE A fuse MUST accompany ALL six switch circuits.